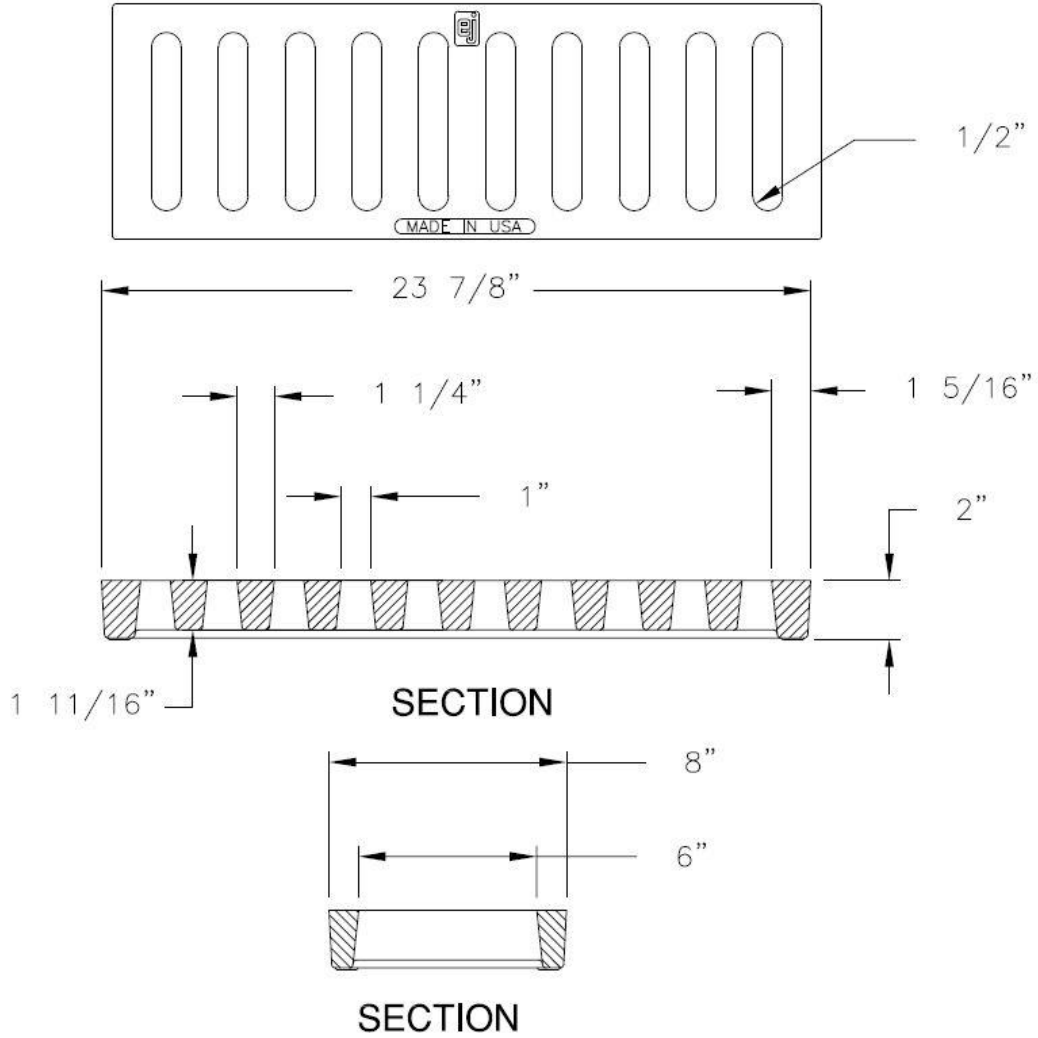


<p>Number</p> <p style="text-align: center;">6901M2</p>	<p>Series</p> <p style="text-align: center;">6900 Series Trench Drain Grate Extra Heavy Duty</p>
---	--

6901M Trench Grate



<p>Specification</p> <p>Grate Material : Gray Iron (CL35) Design Load: Extra Heavy Duty Coating: Undipped Certification: ASTM A48 Country of Origin: USA</p>
--

Manufacturer



DISCLAIMER - The customer and the customer's architects, engineers, consultants, and other professionals are completely responsible for the selection installation and maintenance of any product purchased from Trench Drain Supply and/or its manufacturers. TRENCH DRAIN SUPPLY MAKES NO WARRANTY, EXPRESS OR IMPLIED, AS TO THE SUITABILITY, DESIGN, MERCHANTABILITY, OR FITNESS OF THE PRODUCT FOR CUSTOMERS APPLICATION. The drawing and information provided remain the property and copyright of the manufacturer listed. The manufacturer reserves the right to modify specification without notice.